



# PowerView® PV500 Display

with SmartCommand™



## FEATURES :

- Configurable gauges - choose among 49 parameters
- Tier 4 Final / Interim engine support built in
- Multiple engine manufacturers supported
- J1939 to NMEA2000 gateway for marine applications
- Configurable CANport - change baud rate (250k / 500K)
- Compatible with mechanical and electronic engines
- High visibility UI design
- Single engine display



## PLUG and PLAY SOLUTION

Combining a Powerful Display with a Smart Interface

MurCal's PV500-MC Display with SmartCommand™ provides a simple and robust software solution for display and monitoring of industrial, on-highway and marine engines.

By combining Enovation's PowerView® 500 display with our proprietary SmartCommand™ software configuration package, you have the ability to customize the critical information needed to accurately monitor your engine's performance straight out-of-the-box.

Feedback was gathered from our clients regarding the struggles they've faced integrating PowerView® displays with their engine control projects. Our response was to create a product centered around these 4 key points:

- a software solution that is affordable and easy to understand
- a smart design that offers simple, yet flexible, configuration options
- a way to avoid customized programming that can be costly and difficult to comprehend
- a helpful, easy to use Set-Up Wizard that walks you through a series of configuration screens to connect your engine to your new control display in minutes

SmartCommand™ effortlessly connects an affordable, configurable control solution to your engine control project.

MurCal's PV500-MC Display with SmartCommand™ is the most powerful and affordable solution for the customization of the Enovation PowerView® 500 display available on the market today.

An interface design, paired with a full-color display, that utilizes thoughtful screen layouts and eye-catching color schemes to clearly organize engine information and make errors or warnings visible during operation. Simply unpack the box, mount, connect, configure, and enjoy!

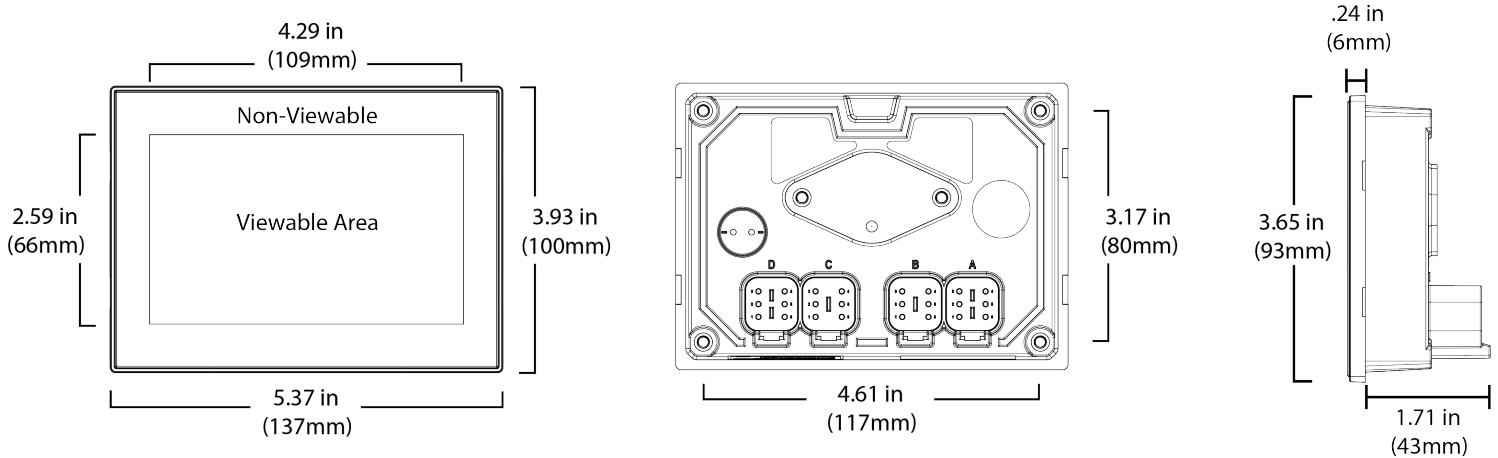


# PV500-MC DISPLAY

CONFIGURABLE INSTRUMENTATION PACKAGE



## DIMENSIONS



## PRODUCT SPECIFICATIONS

SPECIFICATIONS AND DESIGNS ARE SUBJECT TO CHANGE WITHOUT NOTICE.

### COMPUTING

PROCESSOR	Renesas® RZ/G1E Arm® Cortex® A7 dual-core processor @ 1.0 GHz
OPERATING SYSTEM	QNX® Realtime Operating System
STORAGE	8 GB flash memory
RAM	256 MB DDR3-SDRAM

### DISPLAY

DISPLAY AREA	5" (108mm [H] x 64.8mm [V])
TYPE	LVDS TFT LCD with LED backlight, 24-bit color
RESOLUTION	800 x 480 (WVGA)
CONTRAST RATIO	Typ. 1000:1
BRIGHTNESS	900 cd/m <sup>2</sup> (900 nits)
SURFACE	Anti-glare
TOUCH PANEL	Projected capacitive (PCAP) with glove touch

### HARDWARE

REAL TIME CLOCK	Li-ion battery backup (typical lifespan 10 years), non-rechargeable, non-replaceable
CONNECTORS	(4) 6-position DEUTSCH® style DT series
VIDEO INPUTS	(2) NTSC/PAL (single channel viewable)

### COMMUNICATION

CAN	(2) CAN 2.0B according to ISO-11898-2; J1939 and proprietary messaging
SERIAL	(1) RS-485 MODBUS Master/Slave port
USB	USB 2.0 full speed host

### ELECTRICAL

OPERATING VOLTAGE	6 - 36 VDC, reverse polarity protected Min. current draw @ 24V: 0.202A Max. current draw @ 24V: 0.297A Min. current draw @ 12V: 0.318A Max. current draw @ 12V: 0.438A
INPUTS	(1) Analog 0 - 5 VDC, 4-20 mA, resistive, 10-bit resolution (1) Discreet digital, active-high
OUTPUTS	(2) 500 mA switched low-side

### ENVIRONMENTAL

OPERATING TEMP.	-30°C to +85°C (-22°F to +185°F)
STORAGE TEMP.	-40°C to +85°C (-40°F to +185°F)
PROTECTION	IP66 and IP67, front and back, for outdoor use
VIBRATION	Random vibration, 8.17 Grms (5 - 2000Hz), 3 axes
SHOCK	+/- 50G in 3 axes
EMC / EMI	SAE J1113, ISO 13766, CE per 2014/30/EU

**⚠ WARNING:** This product can expose you to chemicals including lead, which is known to the State of California to cause cancer. For more information, go to [www.P65Warnings.ca.gov](http://www.P65Warnings.ca.gov).

## HOW TO ORDER

78-19-049 PV500-MC: MurCal Standard PV500 Display with SmartCommand™ Software  
78051705 PV500 Mounting Kit

41343 12th Street West  
Palmdale, CA 93551  
661-272-4700



[www.murcal.com](http://www.murcal.com)  
[sales@murcal.com](mailto:sales@murcal.com)